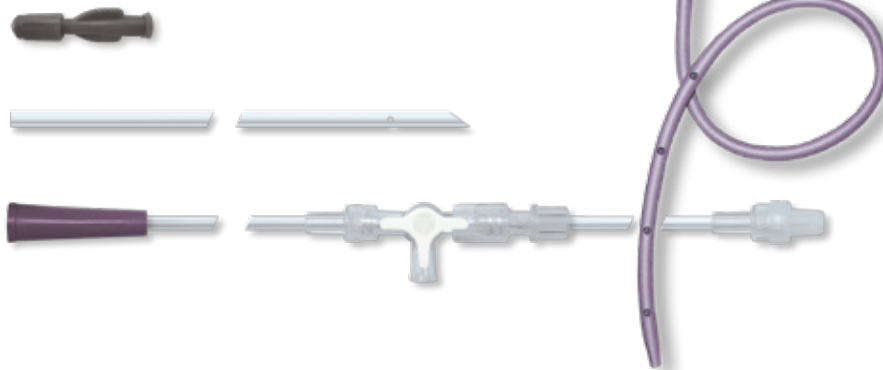




STERILE EO

### Nasal Biliary Drainage Set

- radiopaque probe, length 250 cm, incl. nasal catheter, drainage connection tube and LL connector



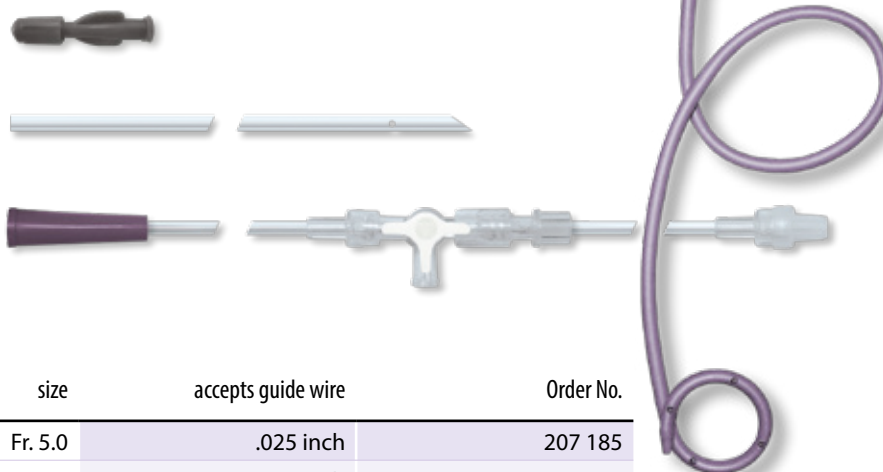
size	accepts guide wire	Order No.
Fr. 5.0	.025 inch	206 185
Fr. 7.0	.035 inch	206 225
Fr. 9.0	.035 inch	206 305



STERILE EO

### Nasal Biliary Drainage Set

- radiopaque probe, length 250 cm, incl. nasal catheter, drainage connection tube and LL connector



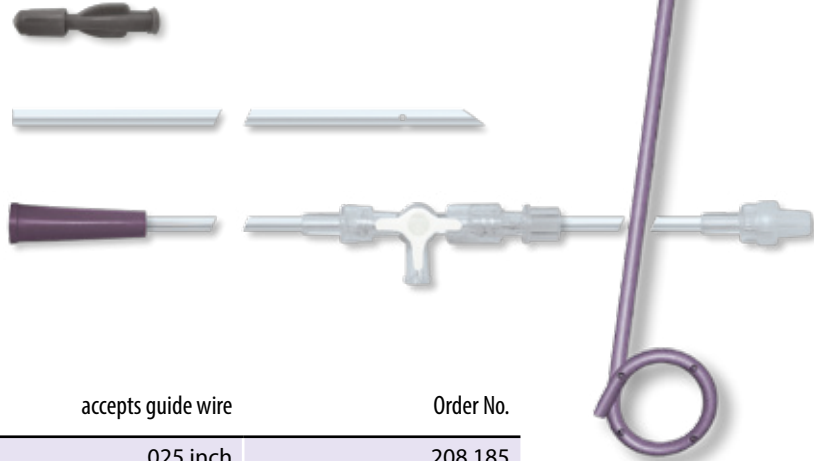
size	accepts guide wire	Order No.
Fr. 5.0	.025 inch	207 185
Fr. 7.0	.035 inch	207 225
Fr. 9.0	.035 inch	207 305



STERILE EO

### Nasal Biliary Drainage Set

- radiopaque probe, length 250 cm, incl. nasal catheter, drainage connection tube and LL connector



size	accepts guide wire	Order No.
Fr. 5.0	.025 inch	208 185
Fr. 7.0	.035 inch	208 225
Fr. 9.0	.035 inch	208 305

### recommended equipment

Appropriate guide wires can be found in chapter 06.

